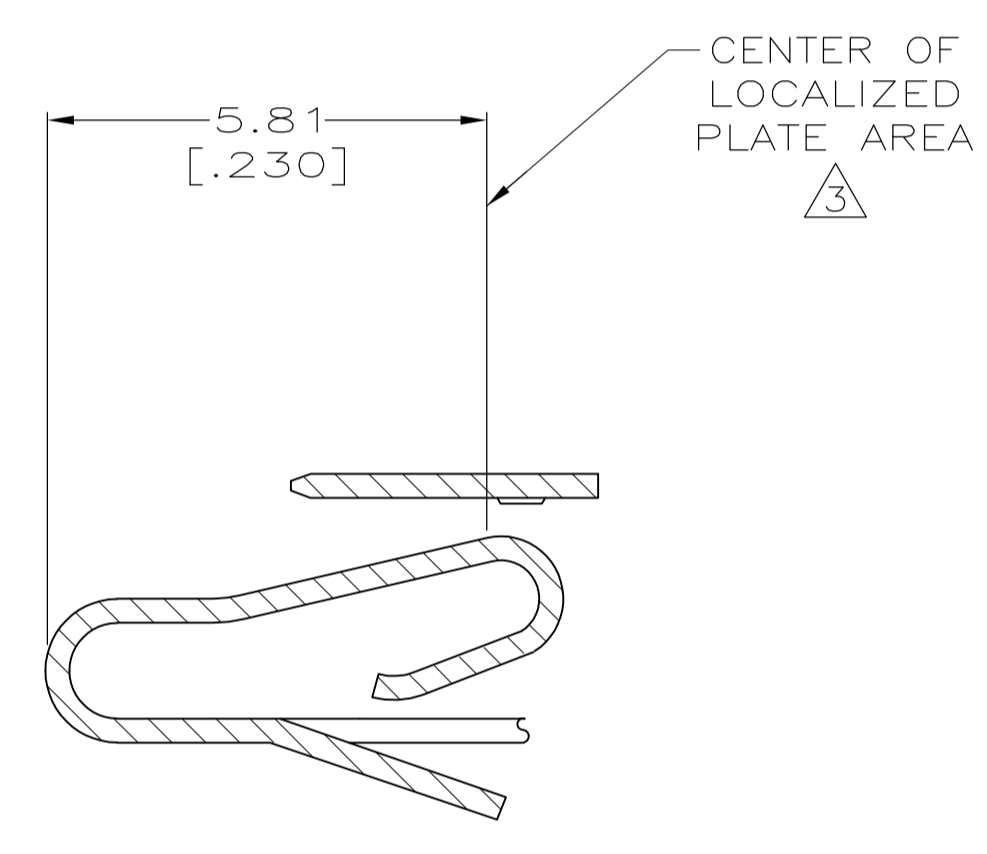
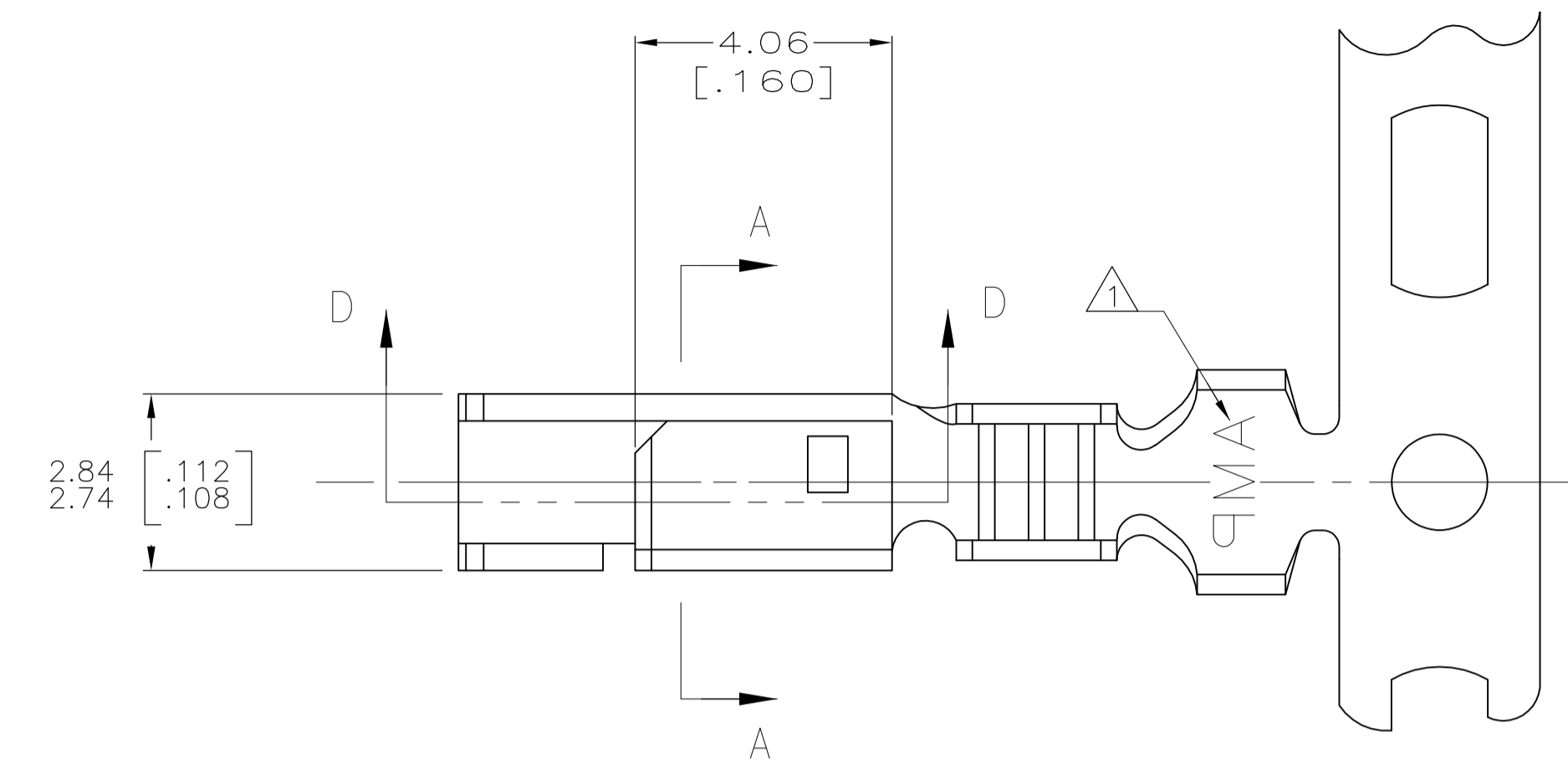
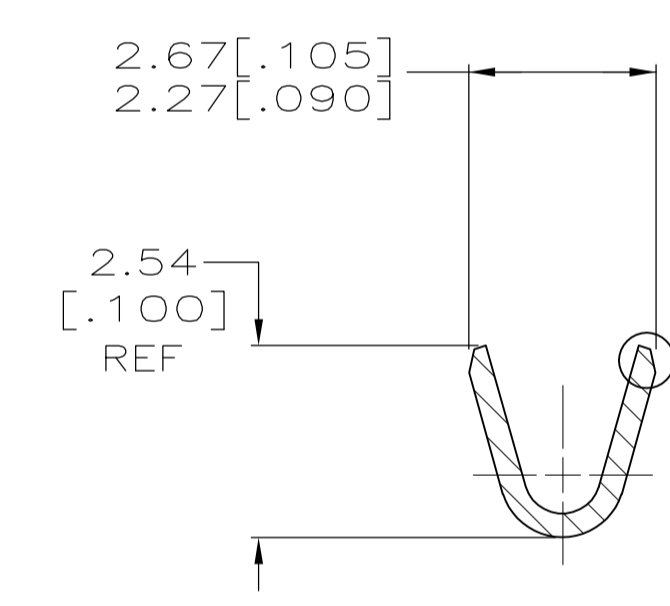
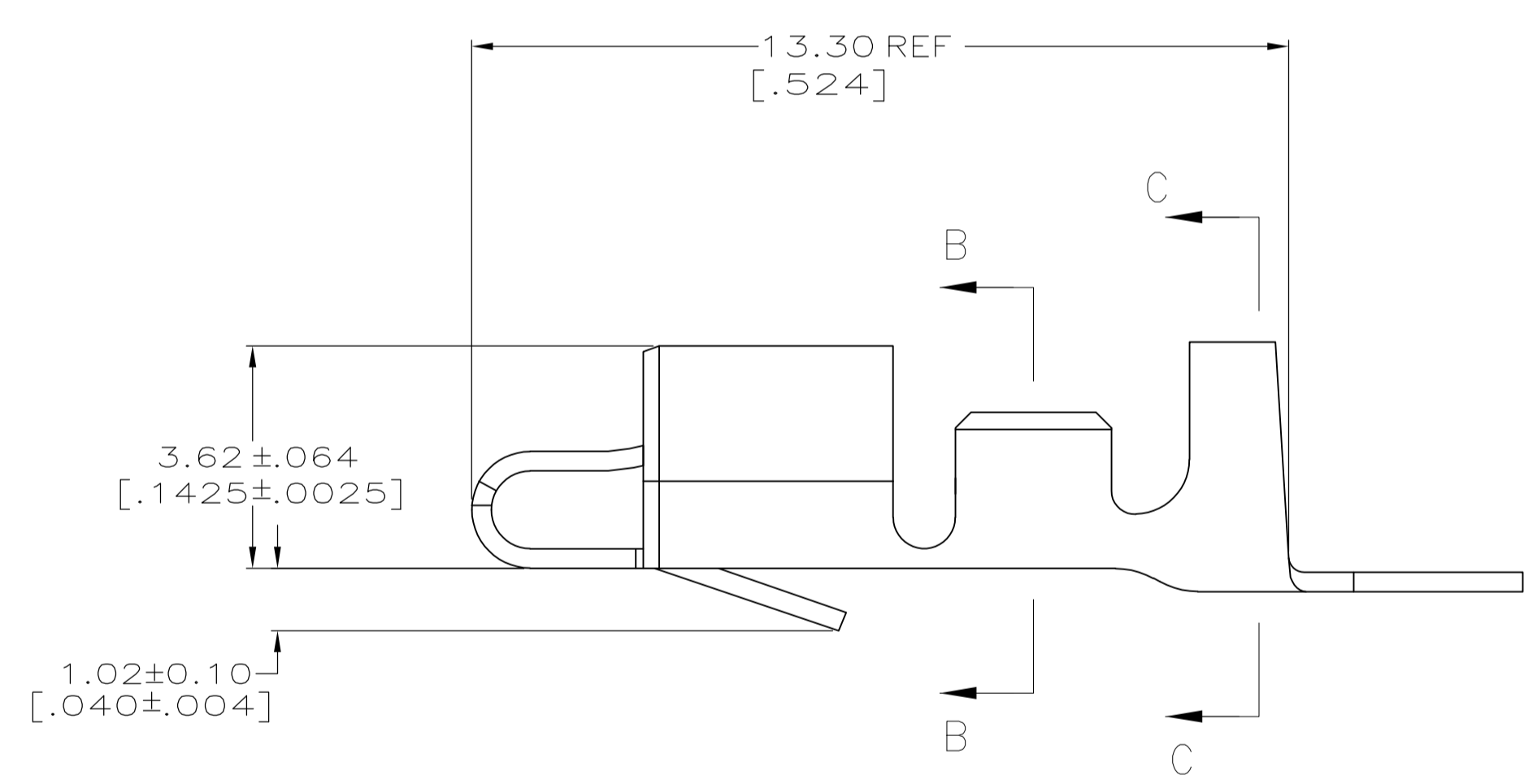


LOC	DIST	REVISIONS			
CM	0	REV	DESCRIPTION	DATE	BY
		C1	REVISED PER ECO-11-004820	11MAR11	RK HMR

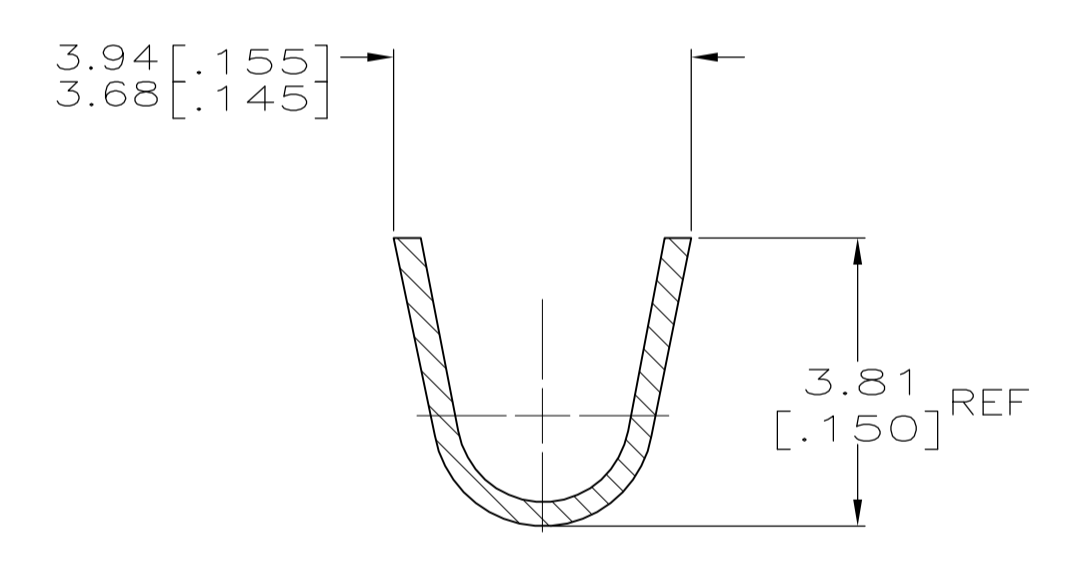
- INSULATION RANGE: 1.78-2.84 [.070-.112]
WIRE RANGE: 0.2-0.9 mm² (24-18) AWG.
- 0.00203 [.000080] MIN BRIGHT TIN-LEAD OVER
0.00127 [.000050] MIN NICKEL.
- 0.00076 [.000030] MIN THICK GOLD STRIPES IN
LOCALIZED PLATE AREA ON BEAM AND DIMPLE OVER
0.00127 [.000050] MIN THICK NICKEL OVER ENTIRE
CONTACT.
- DIMENSIONS IN BRACKETS ARE IN INCHES.
- FOR USE ONLY WITH LID STYLE HOUSING.
- 0.00203 [.000080] MIN BRIGHT TIN OVER
0.00127 [.000050] MIN NICKEL.



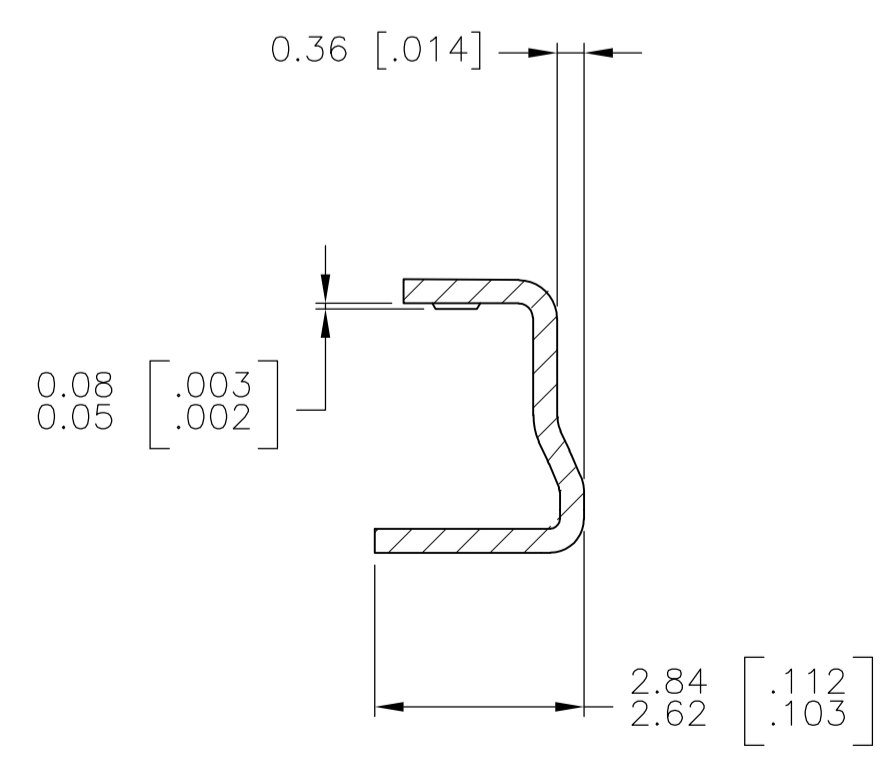
SECTION D-D



SECTION B-B

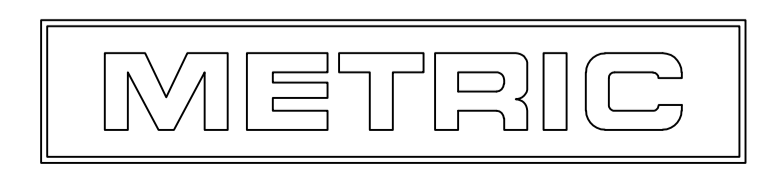


SECTION C-C



SECTION A-A
ROTATED 90° CCW

FINISH	PRE-PLATE	MATERIAL	PART NUMBER
6	—	PHOS BRONZE	3-647406-1
—	3	PHOS BRONZE	647406-2
2	—	PHOS BRONZE	647406-1



THIS DRAWING IS A CONTROLLED DOCUMENT.

DIMENSIONS: mm [INCHES]	TOLERANCES UNLESS OTHERWISE SPECIFIED:	DWG: K. WHITAKER 15OCT2004	CHK: J. ELLIS 15OCT2004	APVD: J. ELLIS 15OCT2004	NAME: SL-156 HOODED RECEPTACLE, LARGE DIA, INSULATION TYPE
0 PLC ± -	1 PLC ± -	2 PLC ± 0.13 [.005]	3 PLC ± -	4 PLC ± -	ANGLES ± -
MATERIAL SEE TABLE	FINISH -	SIZE: 114-1021	WEIGHT: -	SCALE: 10:1	SHEET 1 OF 1
CUSTOMER DRAWING		SIZE: A1	CAGE CODE: 00779	DRAWING NO: 647406	RESTRICTED TO: -